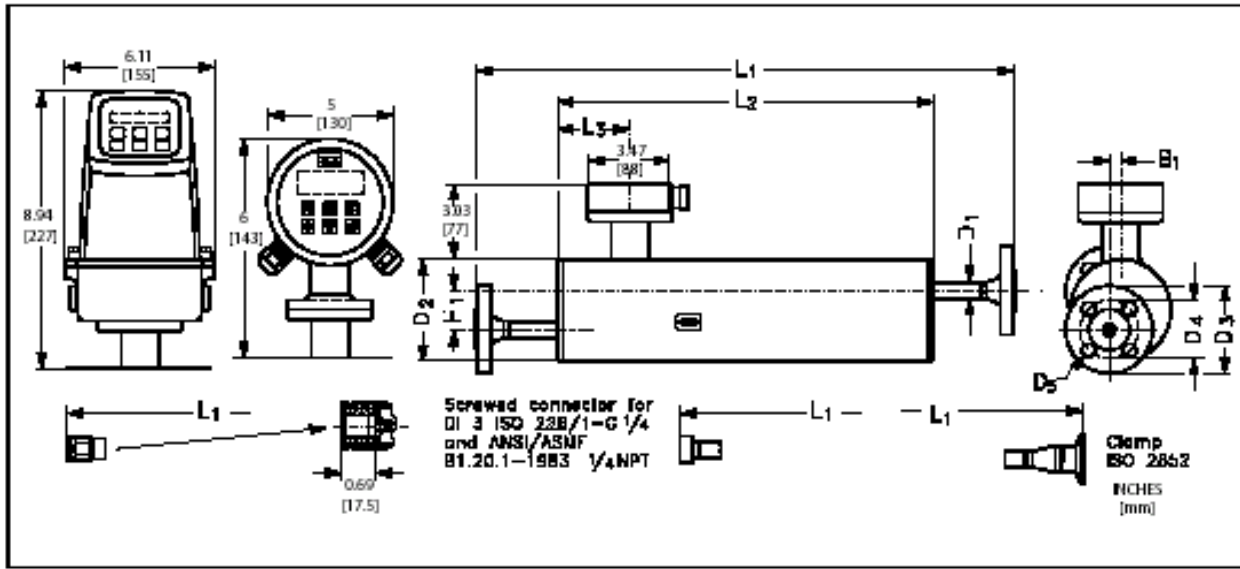


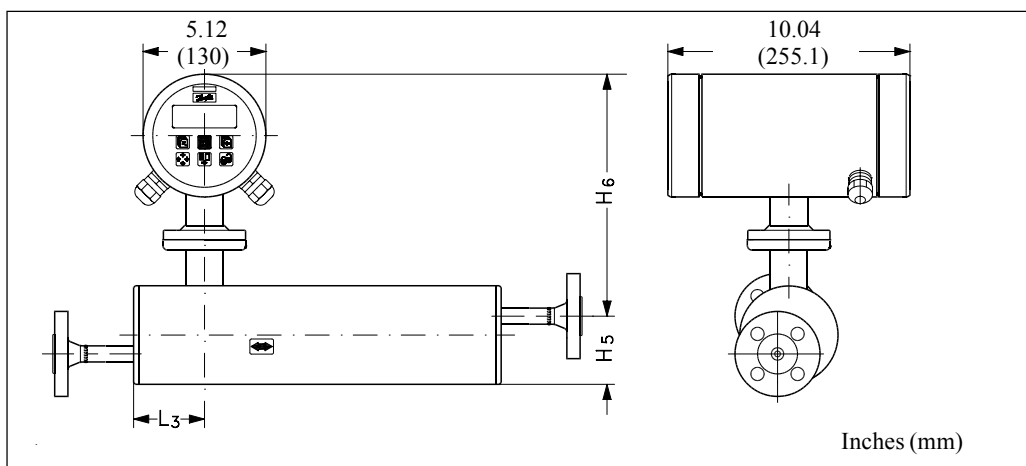
3. Dimensions and Weight
3.1 FlexCOR Series Instruments



Dim. & weights

Model CMF -	Nominal Sensor Size	Connections			L1 in. [mm]	L2 in. [mm]	L3 in. [mm]	H1 in. [mm]	B1 in. [mm]	D1 in. [mm]	D2 in. [mm]	D3 in. [mm]	D4 in. [mm]	D5 in. [mm]	
		Type	Pressure Rating	Size											
B	1/8 in. 3 mm	Pipe thread ANSI/ASME B 1.20.1 - 1/4" NPT	PN 100	1/4"	15.7 [400]	11.0 [280]	3.0 [75.0]	2.4 [60]	0 [0]	0.8 [21.3]	4.0 [104]	- [-]	- [-]	- [-]	
		Flange ANSI B 16.5	CLASS 150	1/2"	24.6 [624]	15.4 [390]	2.4 [62.0]	1.6 [40]	0.5 [12]	0.7 [17.0]	4.0 [104]	3.5 [88.9]	2.4 [60.5]	0.6 [15.7]	
C	1/4 in. 6 mm	Flange ANSI B 16.5	CLASS 600	1/2"	23.9 [608]	15.4 [390]	2.4 [62.0]	1.6 [40]	0.5 [12]	0.7 [17.0]	4.0 [104]	3.8 [95.3]	2.6 [66.5]	0.6 [15.7]	
		Screwed connection NPT		1/4"	20.9 [532]	15.4 [390]	2.4 [62.0]	1.6 [40]	0.5 [12]	0.7 [17.0]	4.0 [104]	- [-]	- [-]	- [-]	
		Tri Clamp	ISO 2852	PN 16	1"	22.4 [570]	15.4 [390]	2.4 [62.0]	1.6 [40]	0.5 [12]	0.7 [17.0]	4.0 [104]	- [-]	- [-]	- [-]
		Flange ANSI B 16.5	CLASS 150	1/2"	25.2 [639]	17.5 [444]	3.0 [75.0]	1.7 [44]	0.8 [20]	0.8 [21.3]	5.1 [129]	3.5 [88.9]	2.4 [60.5]	0.6 [15.7]	
D	1/2 in. 15 mm	Flange ANSI B 16.5	CLASS 600	1/2"	26.0 [660]	17.5 [444]	3.0 [75.0]	1.7 [44]	0.8 [20]	0.8 [21.3]	5.1 [129]	3.8 [95.3]	2.6 [66.5]	0.6 [15.7]	
		Screwed connection NPT	PN40	1/2"	23.0 [586]	17.5 [444]	3.0 [75.0]	1.7 [44]	0.8 [20]	0.8 [21.3]	5.1 [129]	- [-]	- [-]	- [-]	
		Tri Clamp	ISO 2852	PN 16	1"	24.6 [624]	17.5 [444]	3.0 [75.0]	1.7 [44]	0.8 [20]	0.8 [21.3]	5.1 [129]	- [-]	- [-]	- [-]
		Flange ANSI B 16.5	CLASS 150	1"	38.0 [967]	27.6 [700]	2.9 [74.5]	5.0 [126]	1.0 [25]	1.3 [33.7]	8.6 [219]	4.3 [108.0]	3.1 [79.2]	0.6 [15.7]	
E	1.0 in. 25 mm	Flange ANSI B 16.5	CLASS 600	1"	39.1 [992]	27.6 [700]	2.9 [74.5]	5.0 [126]	1.0 [25]	1.3 [33.7]	8.6 [219]	4.9 [124.0]	3.5 [88.9]	0.8 [19.1]	
		Flange ANSI B 16.5	CLASS 150	1 1/2"	43.4 [1102]	27.6 [700]	2.9 [74.5]	5.0 [126]	1.0 [25]	1.3 [33.7]	8.6 [219]	6.1 [155.4]	3.5 [88.9]	0.8 [19.1]	
		Flange ANSI B 16.5	CLASS 600	1 1/2"	44.4 [1130]	27.6 [700]	2.9 [74.5]	5.0 [126]	1.0 [25]	1.3 [33.7]	8.6 [219]	6.1 [155.4]	3.5 [88.9]	0.8 [19.1]	
		Screwed connection NPT	PN40	1"	36.3 [922]	27.6 [700]	2.9 [74.5]	5.0 [126]	1.0 [25]	1.3 [33.7]	8.6 [219]	- [-]	- [-]	- [-]	
		Tri Clamp	ISO 2852	PN 16	1 1/2"	37.0 [940]	27.6 [700]	2.9 [74.5]	5.0 [126]	1.0 [25]	1.3 [33.7]	8.6 [219]	- [-]	- [-]	- [-]
		Flange ANSI B 16.5	CLASS 150	1 1/2"	43.3 [1100]	33.5 [850]	2.8 [71.5]	7.1 [180]	0 [0]	1.9 [48.3]	10.7 [273]	5.0 [127.0]	3.9 [98.6]	0.6 [15.7]	
F	2 in. 40 mm	Flange ANSI B 16.5	CLASS 600	1 1/2"	44.4 [1128]	33.5 [850]	2.8 [71.5]	7.1 [180]	0 [0]	1.9 [48.3]	10.7 [273]	6.1 [155.4]	3.5 [88.9]	0.8 [19.1]	
		Screwed connection NPT	PN25	1 1/2"	42.9 [1090]	33.5 [850]	2.8 [71.5]	7.1 [180]	0 [0]	1.9 [48.3]	10.7 [273]	- [-]	- [-]	- [-]	
		Tri Clamp	ISO 2852	PN 16	2"	41.8 [1062]	33.5 [850]	2.8 [71.5]	7.1 [180]	0 [0]	1.9 [48.3]	10.7 [273]	- [-]	- [-]	- [-]
		Flange ANSI B 16.5	CLASS 150	1"	38.0 [967]	27.6 [700]	2.9 [74.5]	5.0 [126]	1.0 [25]	1.3 [33.7]	8.6 [219]	4.3 [108.0]	3.1 [79.2]	0.6 [15.7]	

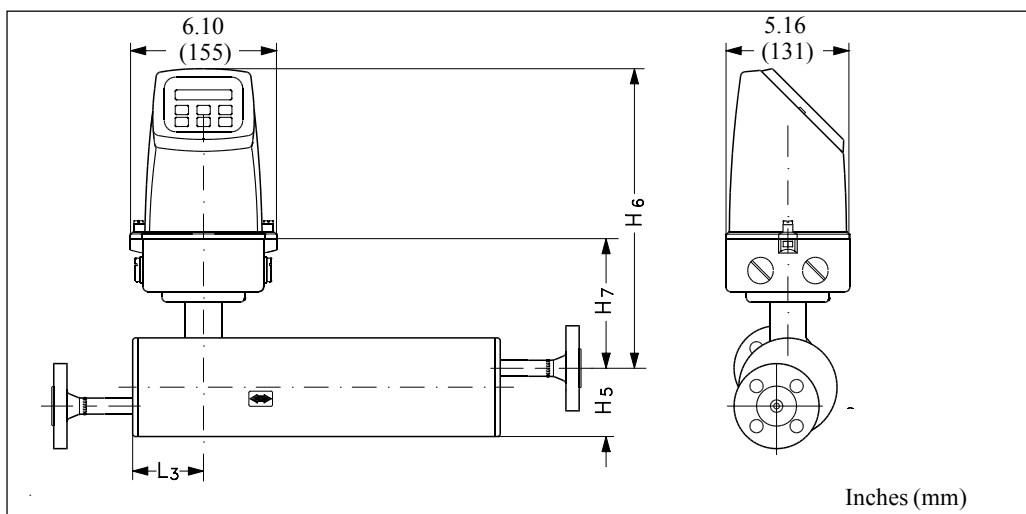
3.2 Ex-d Compact version



Dim. & weights

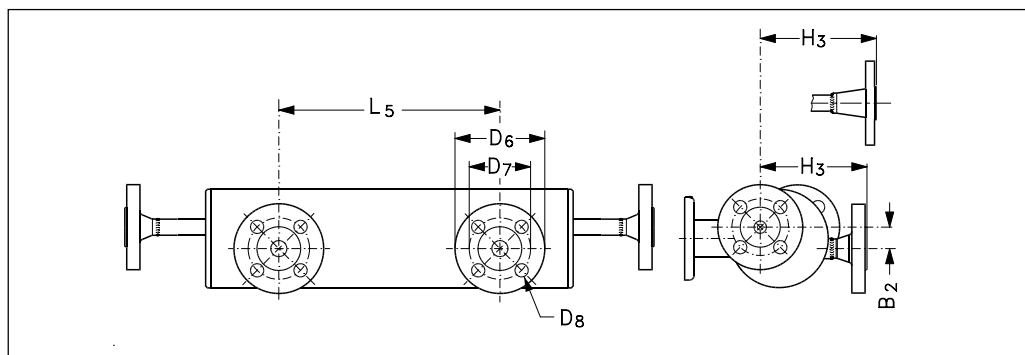
Sensor Size	L ₃ in. (mm)	H ₅ in. (mm)	H ₆ in. (mm)	H ₅ + H ₆ in. (mm)
CMF - B	2.95 (75)	3.23 (82)	12.09 (307)	15.31 (389)
CMF - C	2.44 (62)	2.83 (72)	12.48 (317)	15.31 (389)
CMF - D	2.95 (75)	3.43 (87)	12.91 (328)	16.30 (414)
CMF - E	2.95 (75)	6.81 (173)	13.07 (332)	19.84 (504)
CMF - F	2.95 (75)	8.94 (227)	13.07 (332)	21.97 (558)

3.3 IP 67 Compact version



Sensor size	L ₃ mm	H ₅ mm	H ₆ mm	H ₅ + H ₆ mm
CMF - B	2.95 (75)	3.23 (82)	9.69 (246)	12.91 (328)
CMF - C	2.44 (62)	2.83 (72)	10.08 (256)	12.91 (328)
CMF - D	2.95 (75)	3.43 (87)	10.51 (267)	13.90 (353)
CMF - E	2.95 (75)	6.81 (173)	10.67 (271)	17.44 (443)
CMF - F	2.95 (75)	8.94 (227)	10.67 (271)	21.97 (497)

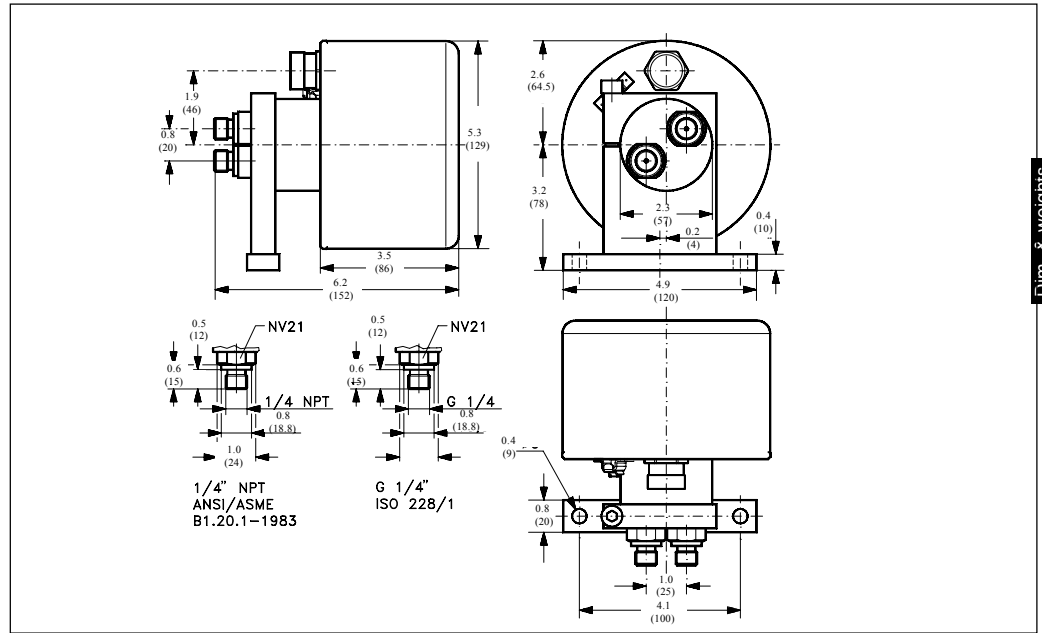
3.4 Sensor with "heating jacket"



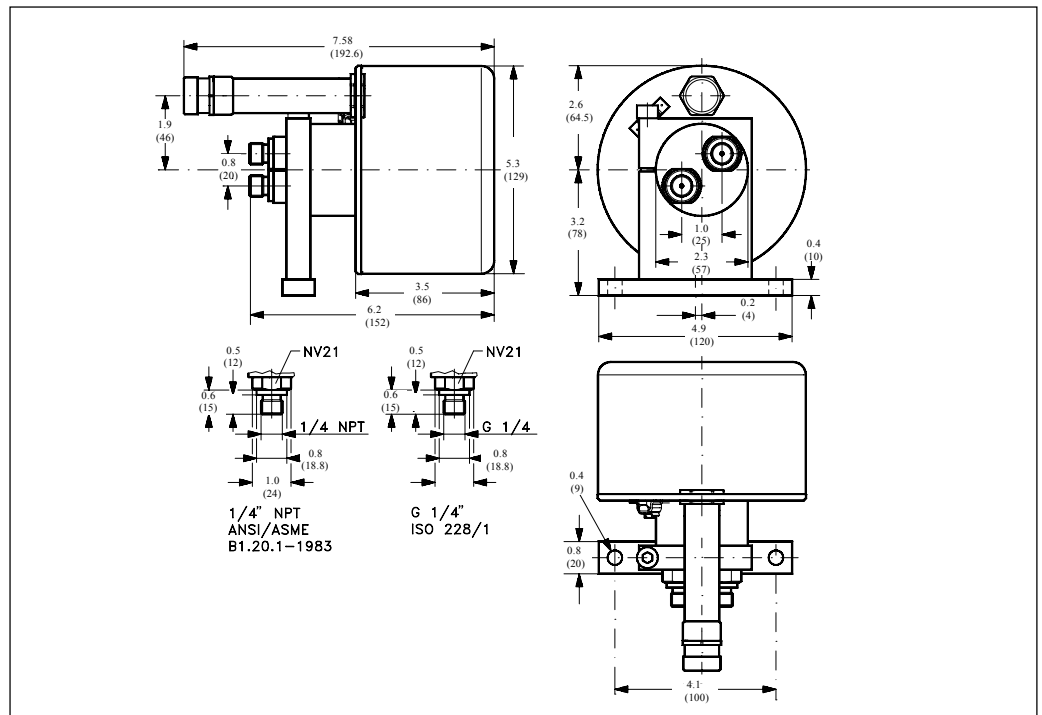
Model CMF-	Sensor size	Connections Heated			L5 in. [mm]	L3 in. [mm]	H3 in. [mm]	B2 in. [mm]	D6 in. [mm]	D7 in. [mm]	D8 in. [mm]
		Flange	Pressure rating	Size							
B	1/8" 3mm	ANSI B16.5	CLASS 150	1/2"	9.2 [234]	3.0 [75.0]	5.2 [131.6]	0.9 [22.0]	3.5 [88.9]	2.4 [60.5]	0.6 [15.7]
C	1/4" 6mm	ANSI B16.5	CLASS 150	1/2"	9.2 [234]	2.4 [62.0]	121.6 [121.6]	0.9 [22.7]	3.5 [88.9]	2.4 [60.5]	0.6 [15.7]
D	1/2" 15mm	ANSI B16.5	CLASS 150	1/2"	9.2 [234]	3.0 [75.0]	136.1 [136.1]	1.2 [31.5]	3.5 [88.9]	2.4 [60.5]	0.6 [15.7]
E	1" 25mm	ANSI B16.5	CLASS 150	1/2"	16.5 [420]	2.9 [74.5]	223.2 [223.2]	2.4 [60]	3.5 [88.9]	2.4 [60.5]	0.6 [15.7]
F	2" 40mm	ANSI B16.5	CLASS 150	1/2"	19.7 [500]	2.8 [71.5]	277.1 [277.1]	1.7 [43]	3.5 [88.9]	2.4 [60.5]	0.6 [15.7]

Dim. & weights

3.5 CMF-A



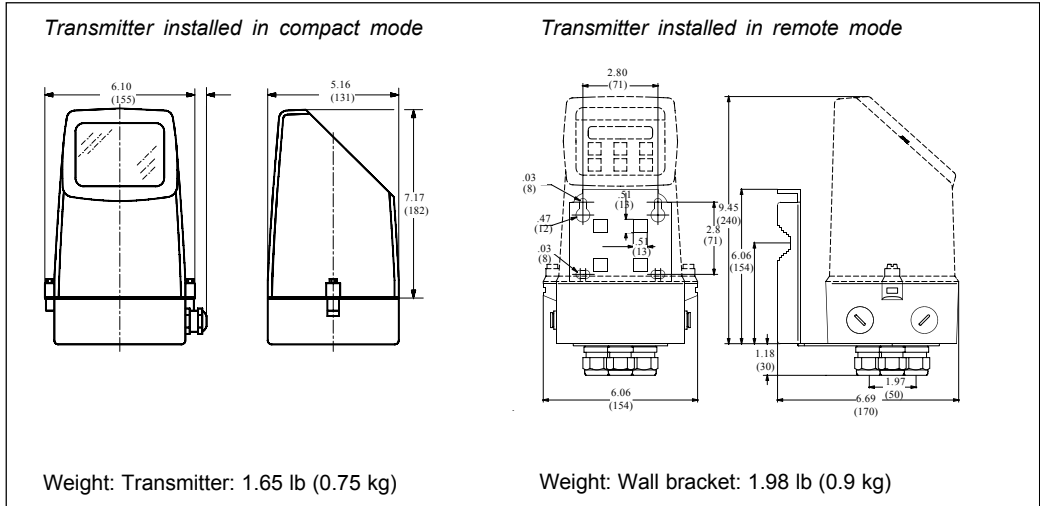
3.6 CMF-A
High temperature
version -40 to 356°F
(-40°C to +180°C)



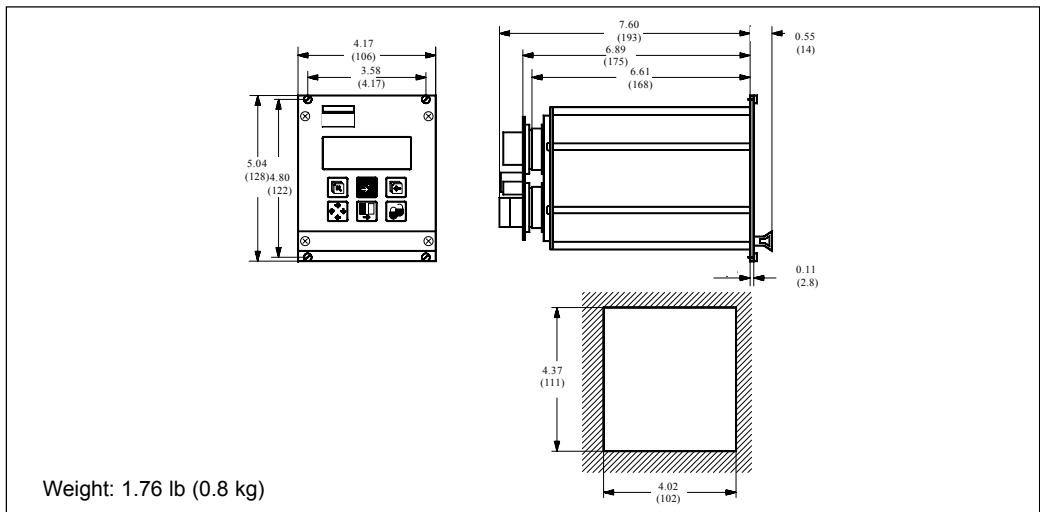
3.7 TRANSMITTER

Compact polyamid

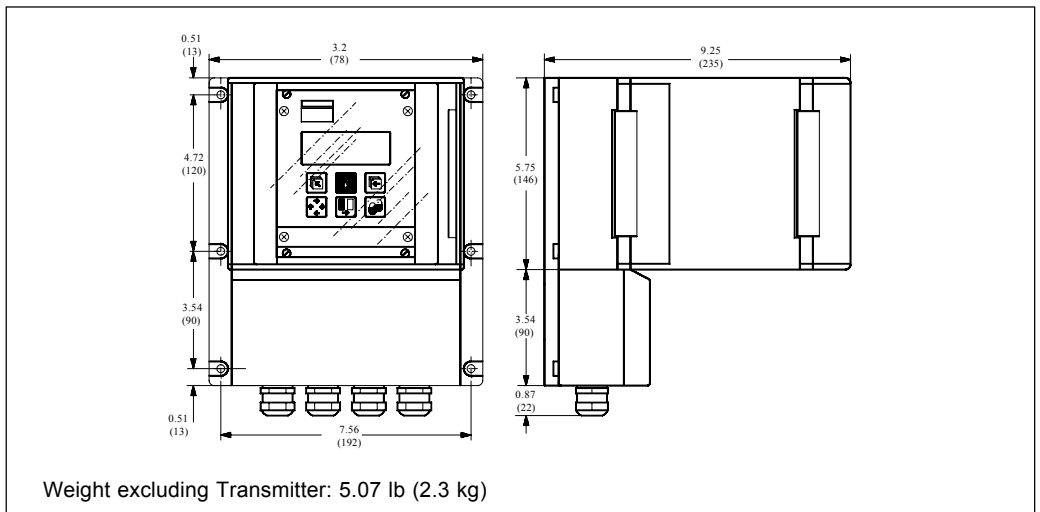
Dim. & weights



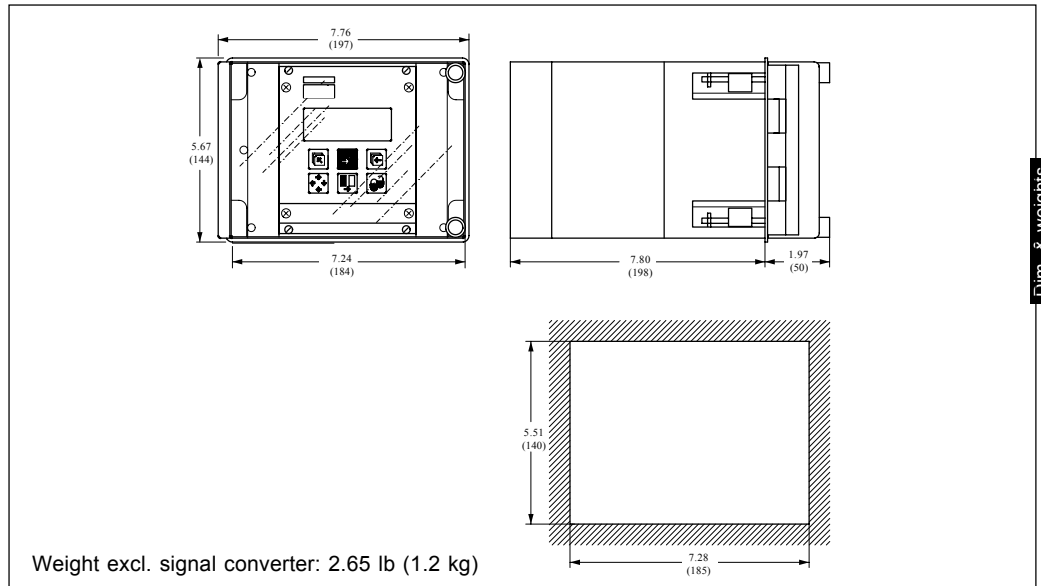
19" insert, standard unit



Wall mounting box 21 TE

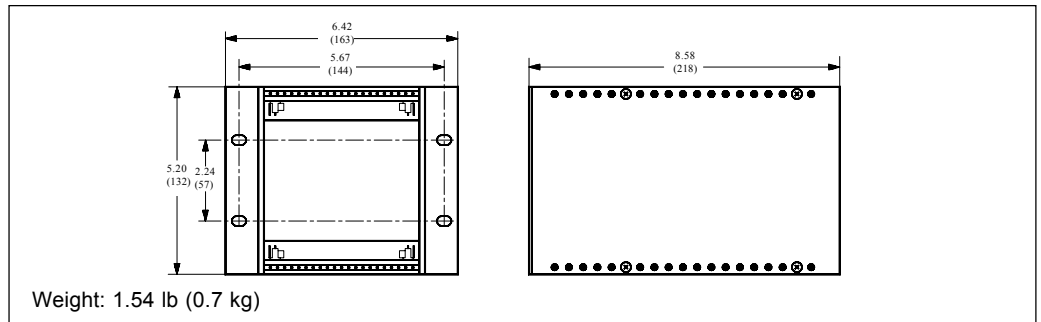


Panel front unit 21 TE



Dim. & weights

Back of panel unit 21 TE



**3.8 Transmitter Ex-d
Compact version**

