

Appendix A. Drawings

All dimensions are shown in inches. Brackets [] indicate dimensions in millimeters.

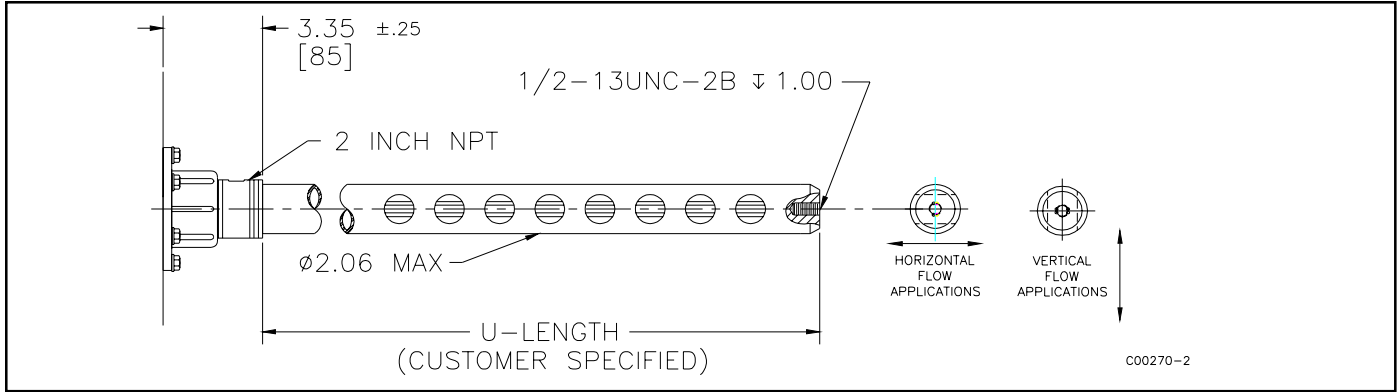


Figure A-1. Threaded Flow Element Installation Drawing

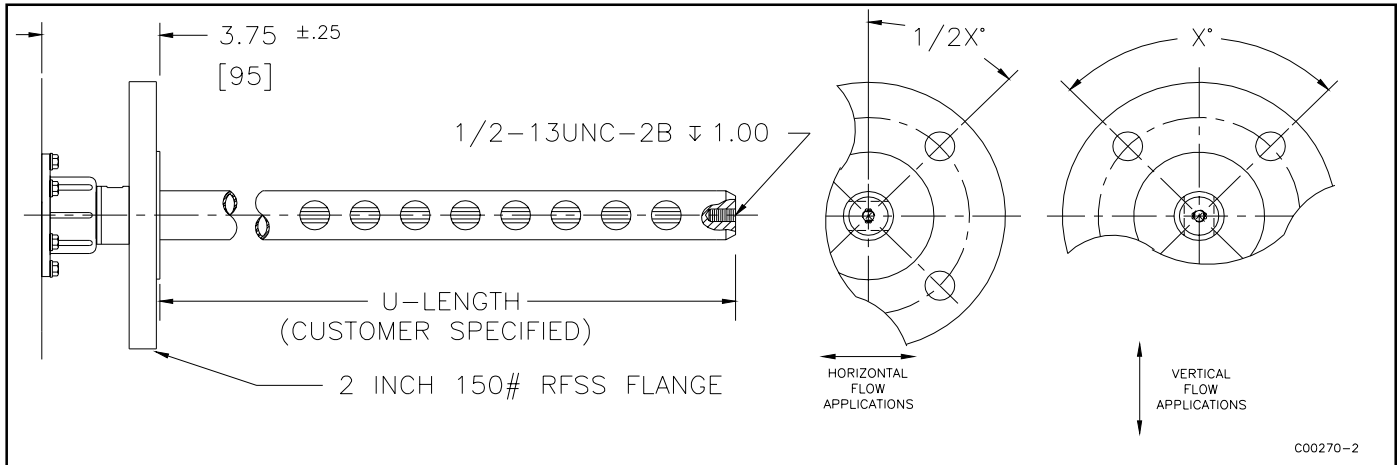
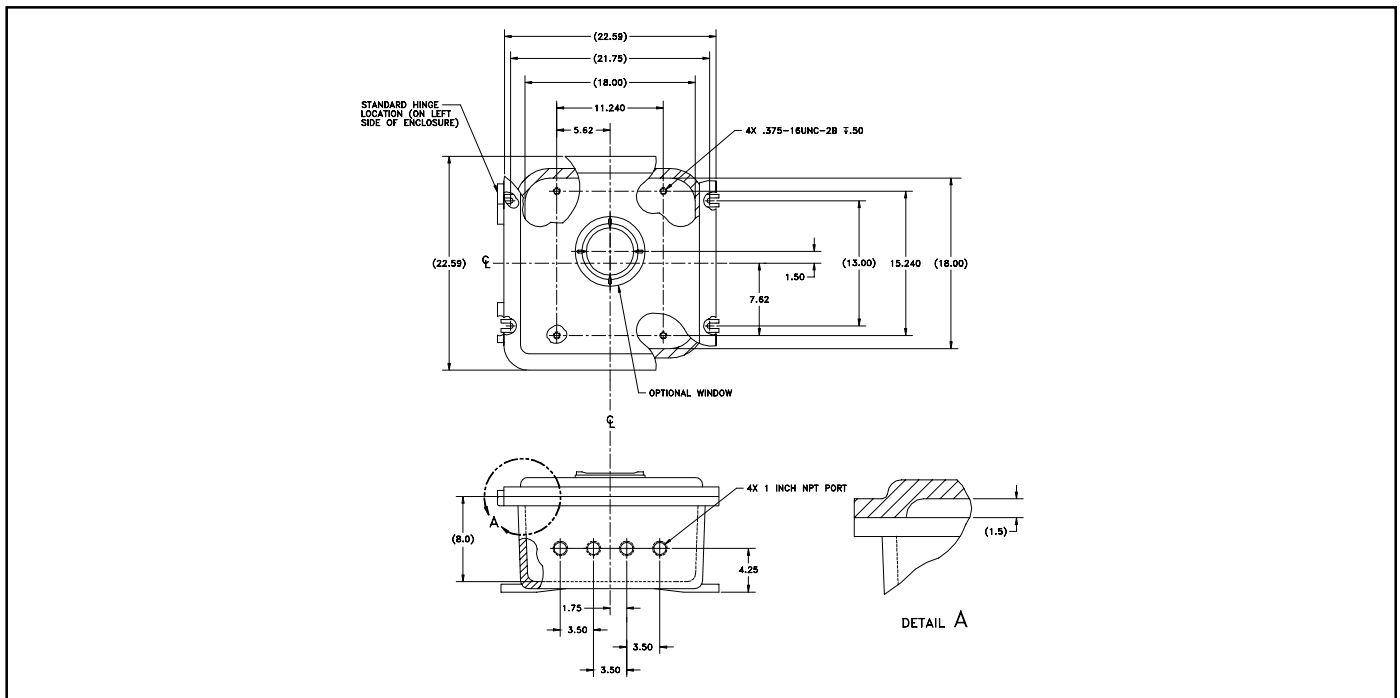


Figure A-2. Flanged Flow Element Installation Drawing



A-3. Explosion Proof Enclosure 18 X 18 X 8

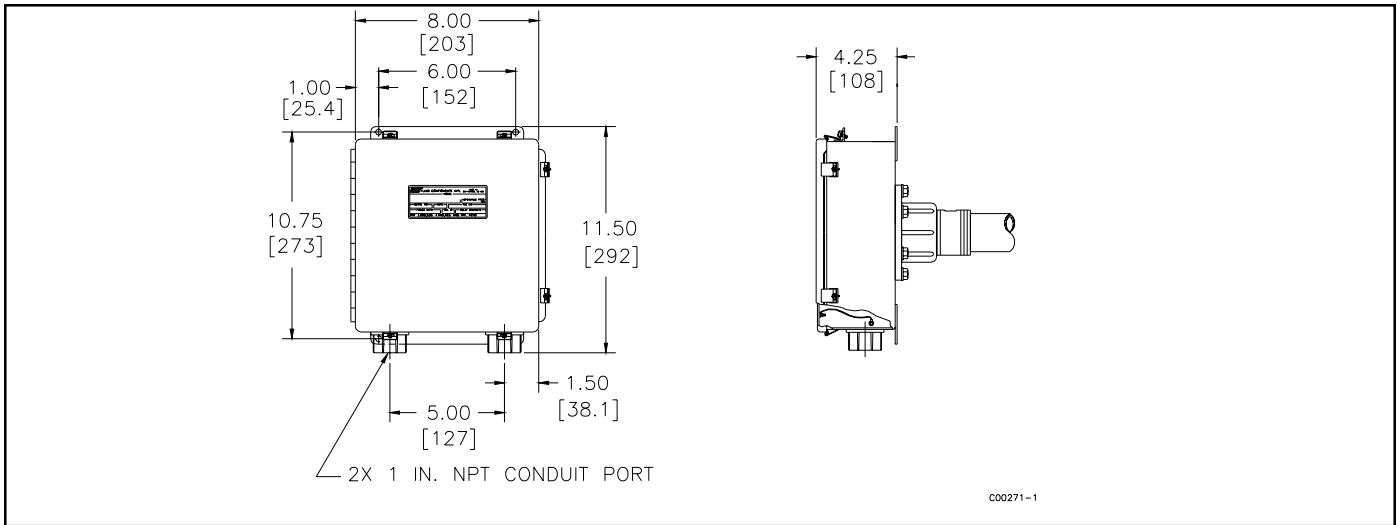


Figure A-4. NEMA Type 4 Local Enclosure

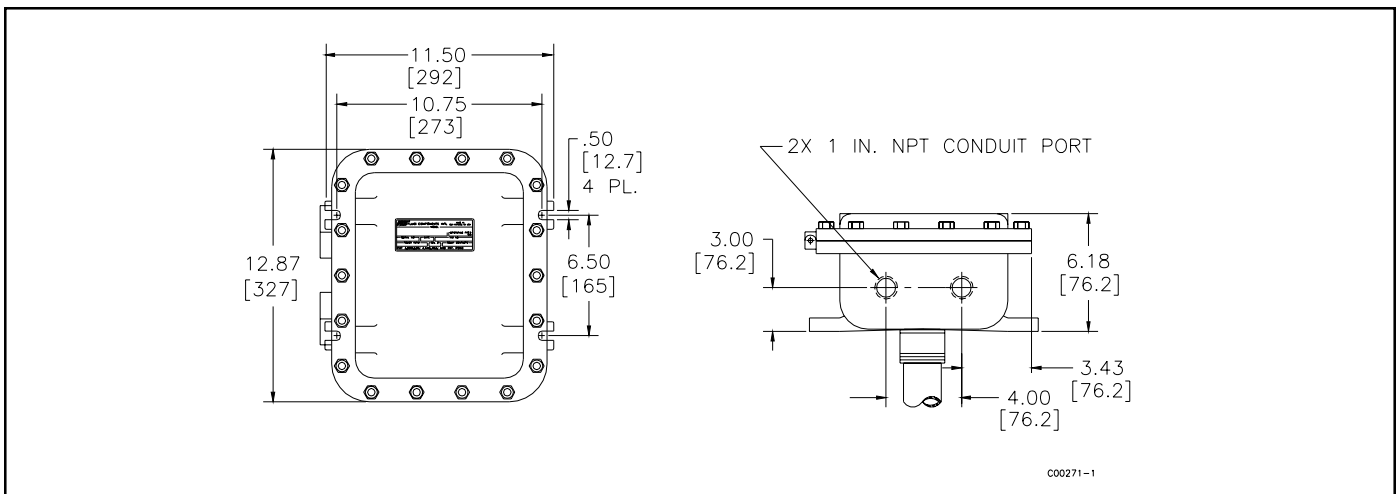


Figure A-5. NEMA Type 7, Groups B,C And D Hazardous Locations Local

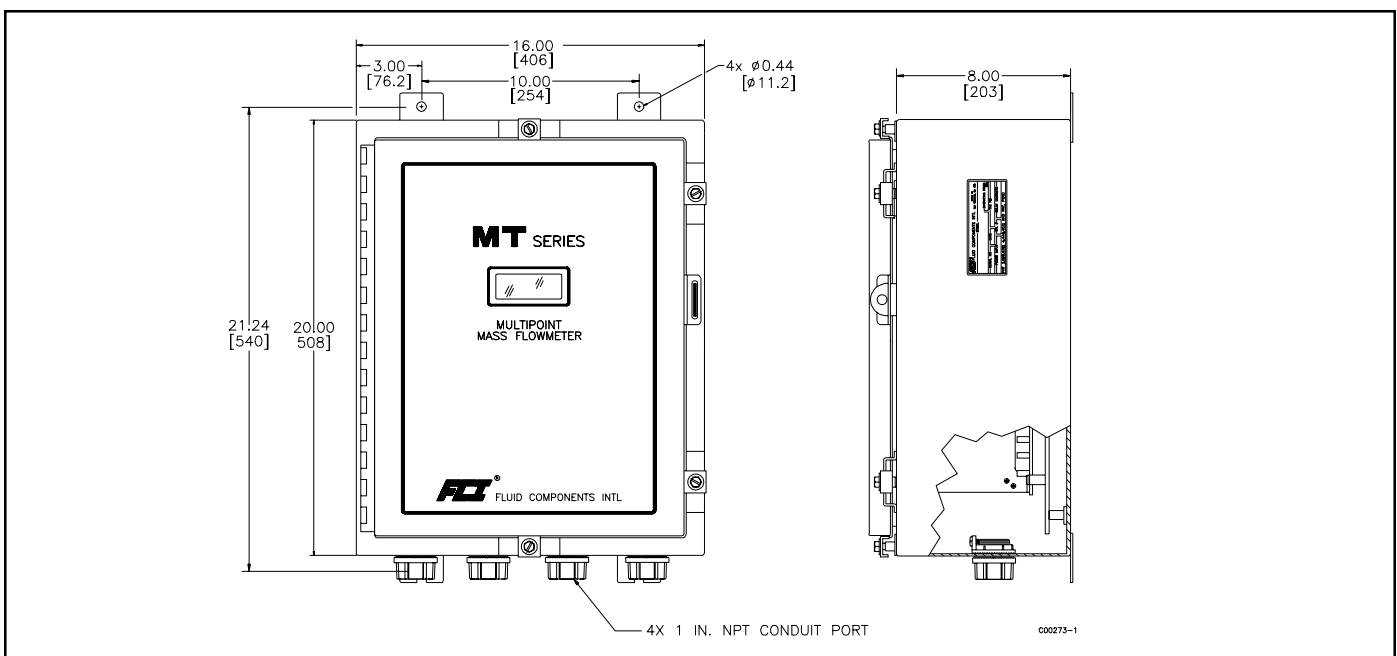


Figure A-6. NEMA 4 Remote Enclosure

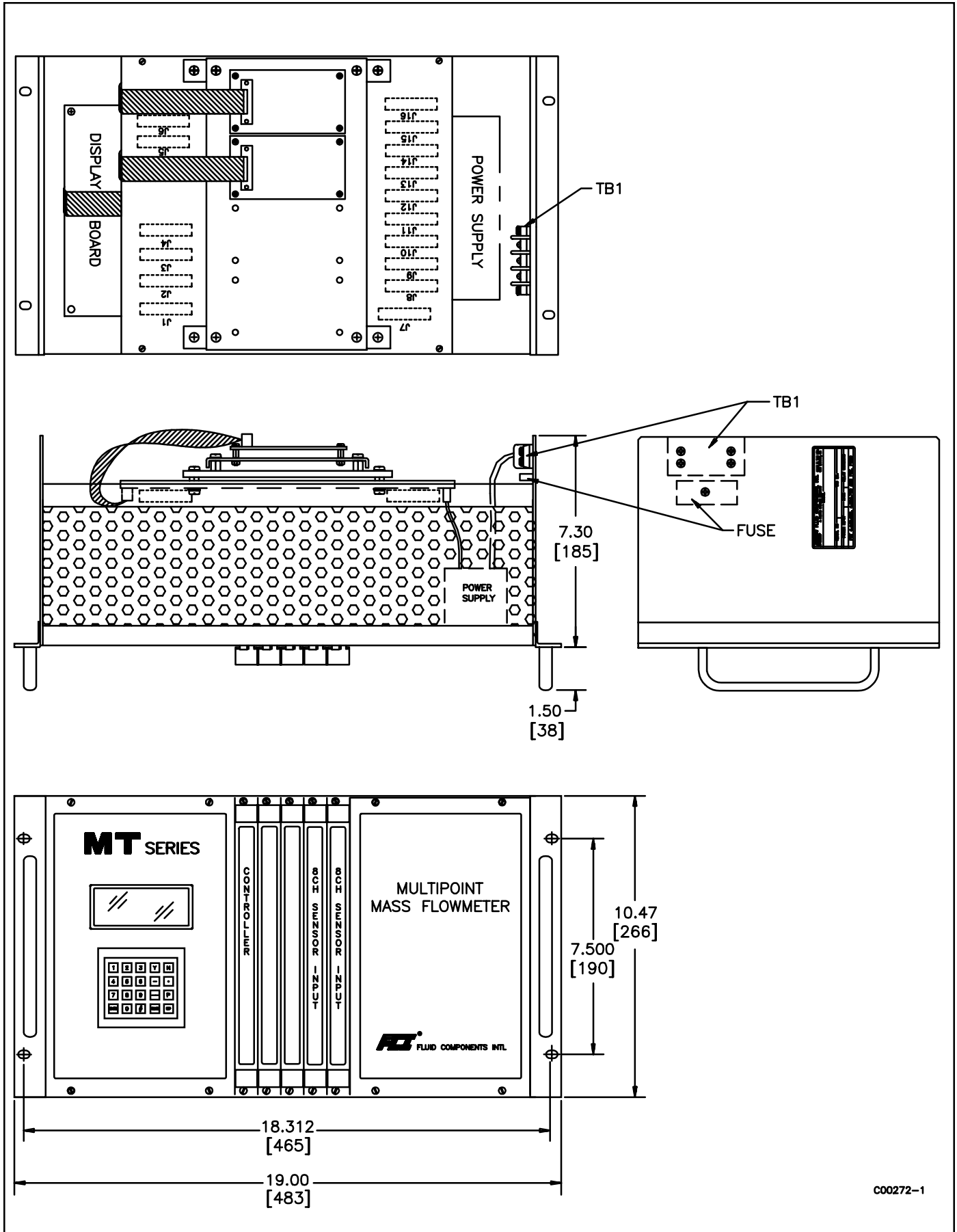


Figure A-7. Rack Mount Remote Enclosure

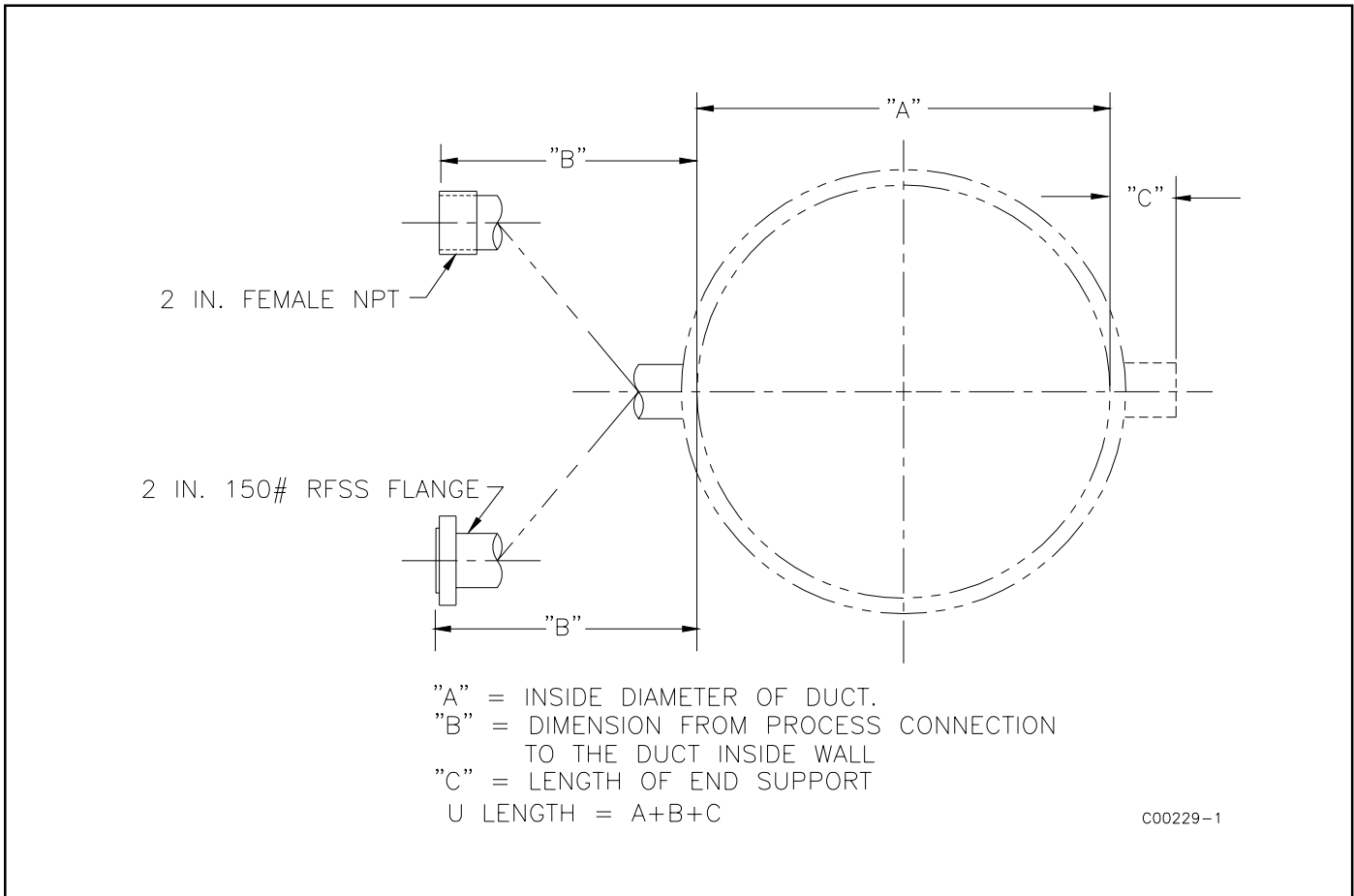


Figure A-8. Recommended Customer Process Connection

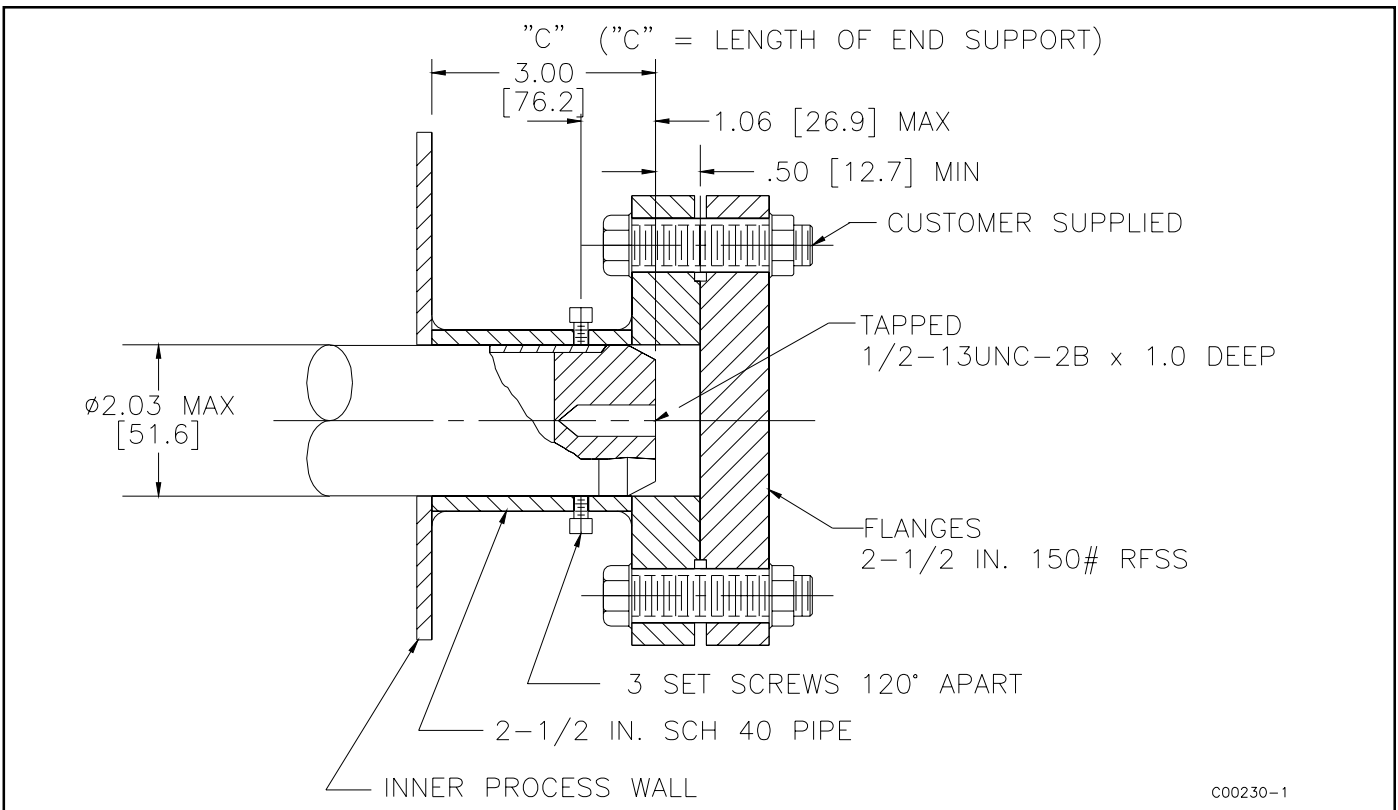


Figure A-9. Recommended End Support Configuration

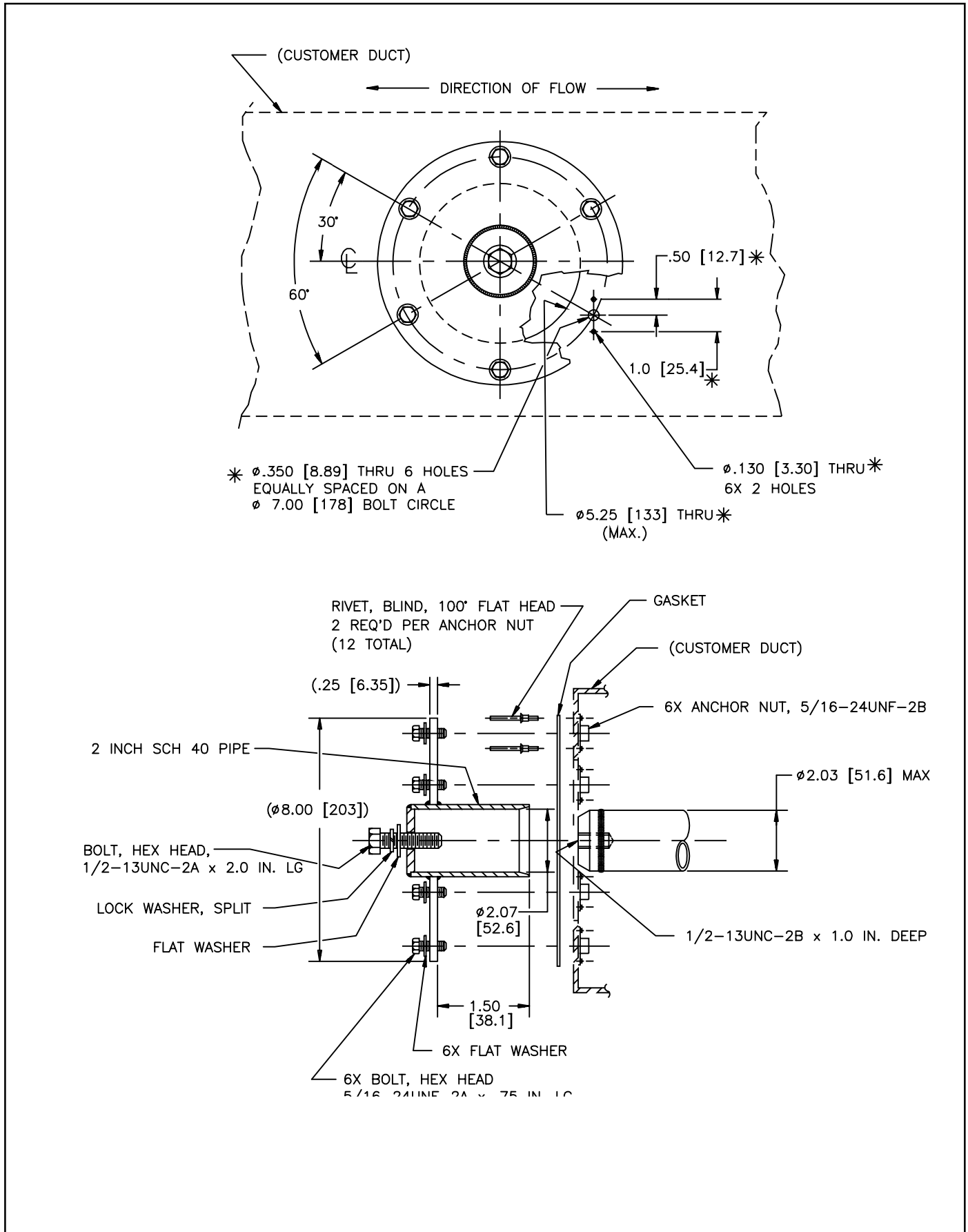


Figure A-10. Alternate End Support Configuration

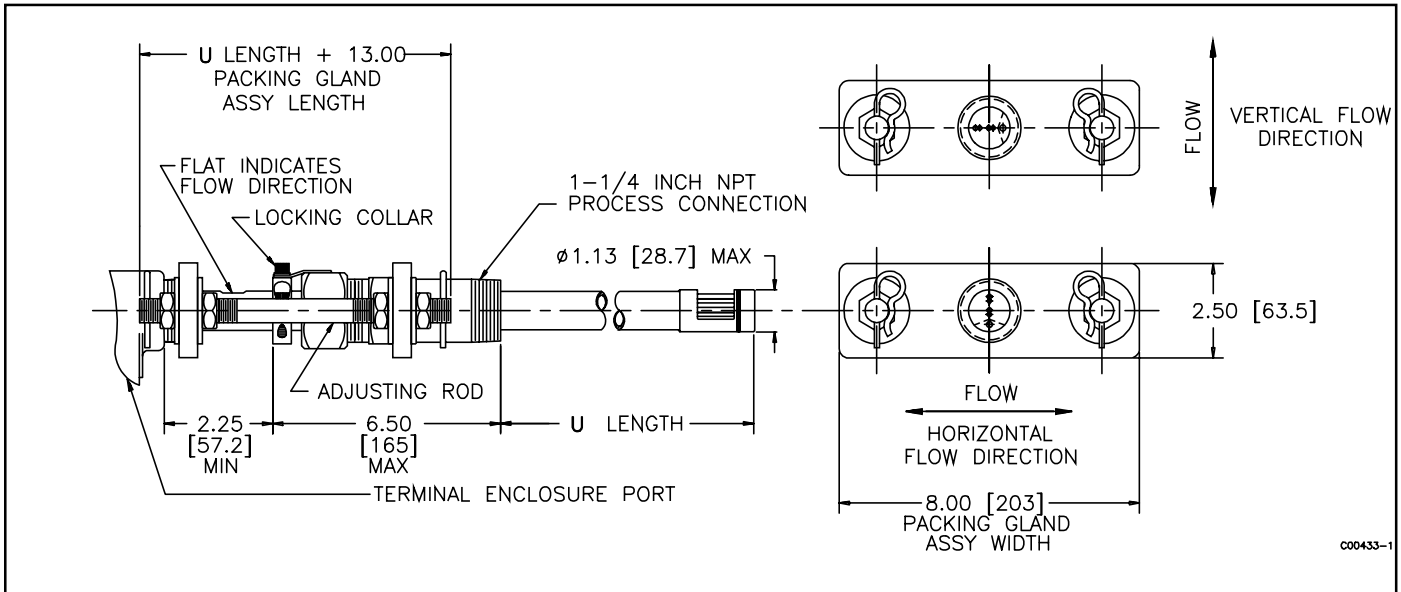


Figure A-11. LT or GF Medium Pressure Sensing Element Configured For MT91